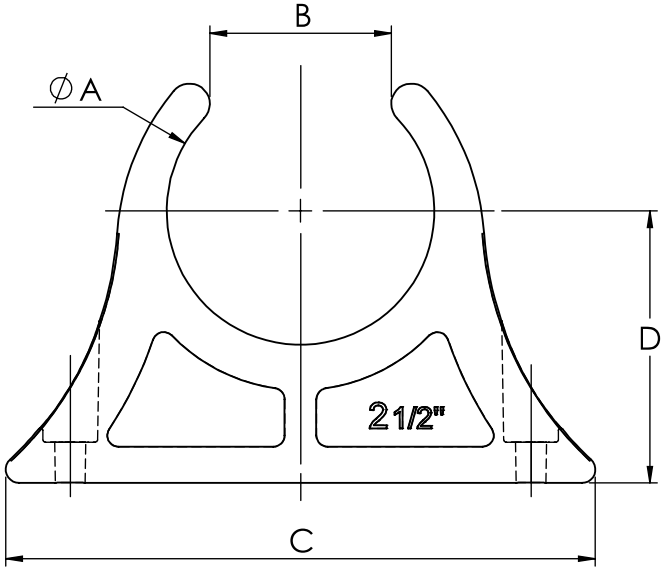
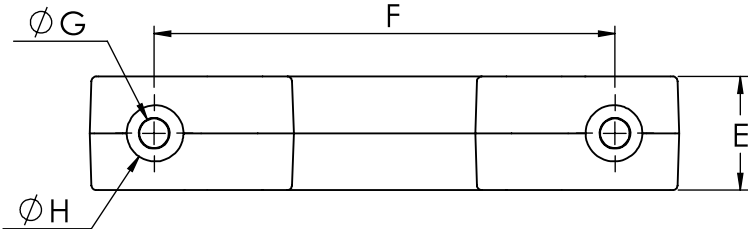



REVISIONS			
REV.	DESCRIPTION	BY	DATE
A	Initial Drawing		



Part No.	A	B	C	D	E	F	G	H
34.358.28 - 38	31.0	22	76	38.0	20	60.0	4.3	9.0
34.358.38 - 39	37.0	25	85	44.5	20	67.0	4.3	9.0
34.358.60	57.6	36.5	130	60.0	25	101.6	6.5	12.0

DIMENSIONS ARE IN MM
 TOLERANCES: ± 1.5
 ONE PLACE DECIMAL ± 0.8

	NAME	DATE	REV.
	DRAWN	2017/9/21	
CHECKED			A
SIZE A4	DO NOT SCALE DRAWING	A4 SCALE 1:1.5	MATERIAL : TPE 90° ±5° DWG NAME :