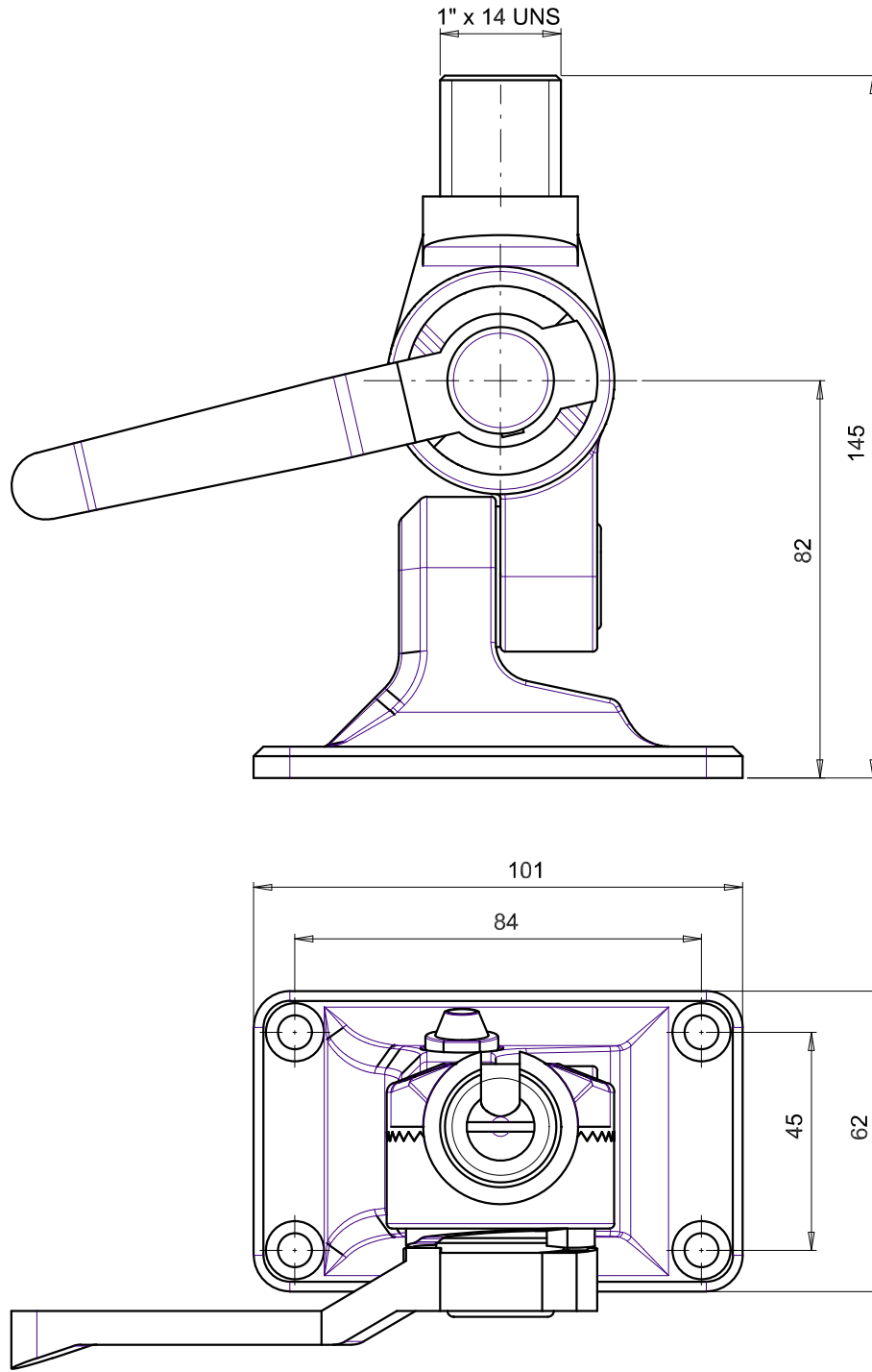


GENERAL TOLLERANCE indications UNI EN 22768-1:1996

Class of tolerance		Allowed deviations for size range base (mm)				
Designation	Denomination	from 0.5 to 3	from 3 to 6	from 6 to 30	from 30 to 120	from 120 to 400
f	fine	±0.05	±0.05	±0.1	±0.15	±0.2
m	medium	±0.1	±0.1	±0.2	±0.3	±0.5



VIA FAENTINA 165/G 48100 RAVENNA - ITALY
 TEL. +39 0544 500377 Fax +39 0544 500420
 info@glomex.it - www.glomex.it

PRODUCT		RA 115			
DESCRIPTION		ASSEMBLAGGIO RA 115			
MATERIAL			FINISHING		
ISO E		VOLUME	WEIGHT	MOLD NUMBER	

DRAWING CODE	REV.	SCALE	DATE	DESIGNED BY	DATE	APPROVED BY
		2:3	18/10/2016			

Proprietary design by law may not be reproduced without authorization and disclosure